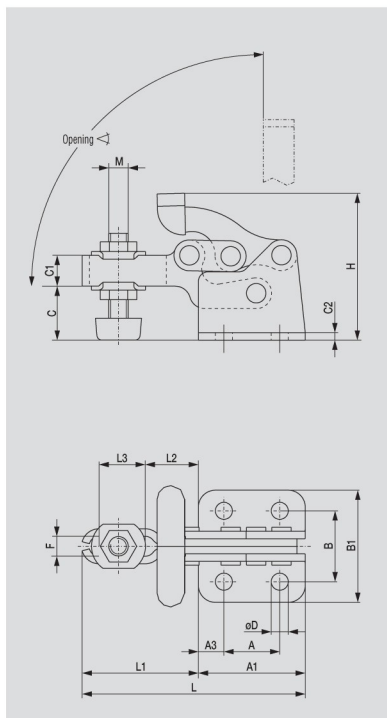
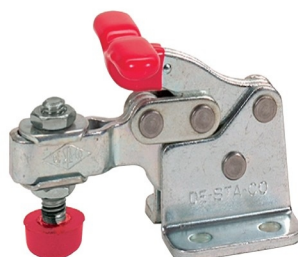


# Compact clamps

## Models 305-U



Model no.	Holding Capacity ↑	Bar Opening ↙ +10°	[Kgs.]	Standard equipment	Flanged Washers
305-U	669	92°	0.059	305208-M	102111
305-U-LS				without spindle	102111



Model 305-U

Model no.	A	A1	A3	B	B1	C	C1	C2	∅D	F	H	L	L1	L2	L3	M
305-U	13.46	26.16	6.60	16.00	25.40	12.70	12.70	12.70	12.70	12.70	12.70	12.70	12.70	13.46	12.70	M5

DE-STA-CO Subject to technical modifications without notice